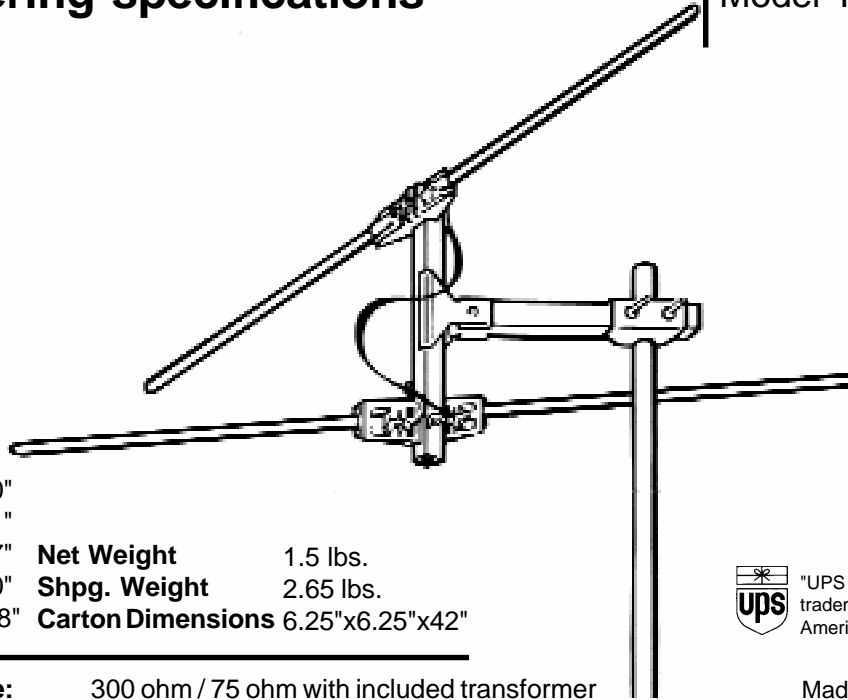


engineering specifications

Model PR-6010



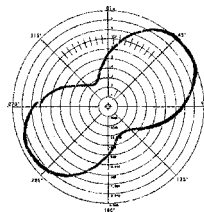
Active Elements	2		
Boom Length	10"		
Turning Radius	41"		
Maximum Width	67"	Net Weight	1.5 lbs.
Vertical Height	10"	Shpg. Weight	2.65 lbs.
Element Diameter	3/8"	Carton Dimensions	6.25"x6.25"x42"



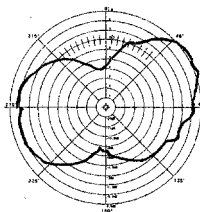
"UPS in shield design is a registered trademark of United Parcel Service of America, Inc. used by permission."

Output Impedance: 300 ohm / 75 ohm with included transformer
Recommended Preamp: AP Series

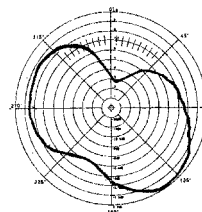
Made in U.S.A.



88MHz



98MHz



108MHz